

SPECIFICATION SUBMITTAL SHEET



FEATURES

Sizes: □ 2 1/2"

Maximum inlet pressure
End connections (FNPT)
(Grooved)
Manufactured in the USA
Factory Set

400 psi
ANSI B1.20.1
AWWA C606

OPTIONS

(Suffixes can be combined)

- angle type valve
- IL - in-line (globe type) valve
- MSA - with monitor switch adapter
- CH - with chrome finish
- T - tapped & plugged inlet and outlet for pressure gauge (not available on angle grooved body)
- CAP - with capped bonnet, no handwheel assembly
- G - with Grooved inlet and outlet connections

APPLICATION

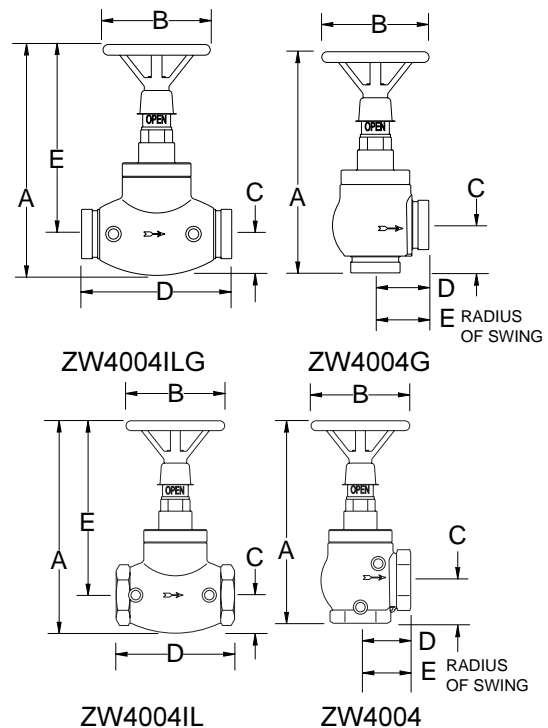
The Pressure-Tru™ ZW4004 Series Pressure Reducing Valve is listed as a floor control valve in automatic sprinkler systems as well as a standpipe valve for CLASS I and CLASS III systems. Regulates pressure under both FLOW and NO-FLOW conditions.

STANDARDS COMPLIANCE

- UL® Listed
- C-UL® Listed

MATERIAL

Castings/internals Cast bronze ASTM B 584
Elastomers Buna Nitrile (FDA approved)
EPDM (FDA approved)



DIMENSIONS & WEIGHTS (do not include pkg.)

MODEL	DIMENSIONS (approximate)													
	A OPEN		A CLOSED		B		C		D		E		WEIGHT	
	in.	mm	in.	mm	in.	mm	in.	mm	in.	mm	in.	mm	lbs	kg
ZW4004	12 7/8	327	12	305	6 1/4	159	2 3/4	70	3 3/16	92	3 5/8	92	20	9
ZW4004iL	13 1/2	343	12 1/2	318	6 1/4	159	2 3/8	60	7 1/2	191	8 3/16	208	24	11
ZW4004G	12 7/8	327	12	305	6 1/4	159	2 3/4	70	3 3/16	81	3 5/8	92	19	8.6
ZW4004iLG	13 1/2	343	12 1/2	318	6 1/4	159	2 3/8	60	8 3/4	222	8 3/16	208	24	11
ZW4004CAP	9	229	n/a	n/a	5	127	2 3/4	70	3 3/16	81	3 5/8	92	16	7
ZW4004iLCAP	7 1/4	184	n/a	n/a	5	127	2 3/8	60	7 1/2	191	7 1/4	184	20	9

DOCUMENT #: FV-ZW4004

REVISION: 6/06

ZW4000 Series Fire Valve

Part Number Assistant

Check off the boxes that match the choices you want. If the choice is blank, this is standard and you add nothing to the part number. If there are letters after the check box, then you add those letters to the part number in that order.

A bonnet setting has to be part of the part number since the ZW4000 series valves are factory set and not field adjustable. The flow curves Must be used by the system designer to select the correct bonnet setting.

Example

ZW4004 Sprinkler Floor Control Valve (Factory Set) (choose one)

<input type="checkbox"/> Angle Body <input type="checkbox"/> Globe Body <input checked="" type="checkbox"/> IL (choose one)	<input checked="" type="checkbox"/> Threaded Ends <input type="checkbox"/> Grooved Ends <input type="checkbox"/> G (choose one)	<input type="checkbox"/> Monitor Switch <input type="checkbox"/> Adapter Bracket <input checked="" type="checkbox"/> MSA (optional)	<input type="checkbox"/> No Handwheel <input type="checkbox"/> Capped Bonnet <input type="checkbox"/> CAP (optional)	Bonnet Setting Type <input type="checkbox"/> -N <input type="checkbox"/> -O <input type="checkbox"/> -P <input type="checkbox"/> -Q <input type="checkbox"/> -R <input type="checkbox"/> -S <input checked="" type="checkbox"/> -T <input type="checkbox"/> -U
--	--	--	---	---

In this example the part number would be ZW4004ILMSA-T

ZW4000 Hose Valve (Factory Set) (choose one)

<input type="checkbox"/> Angle Body <input type="checkbox"/> Globe Body <input type="checkbox"/> IL (choose one)	<input type="checkbox"/> Threaded Inlet <input type="checkbox"/> Grooved Inlet <input type="checkbox"/> G (choose one)	<input type="checkbox"/> 2-1/2" Hose thread <input type="checkbox"/> 3" Hose thread <input type="checkbox"/> SF (choose size)	<input type="checkbox"/> w/Cap & Chain <input type="checkbox"/> CC (optional)	Bonnet Setting Type <input type="checkbox"/> -N <input type="checkbox"/> -O <input type="checkbox"/> -P <input type="checkbox"/> -Q <input type="checkbox"/> -R <input type="checkbox"/> -S <input type="checkbox"/> -T <input type="checkbox"/> -U
---	---	--	---	--

Specify for a special thread requirement.

ZW4004 Sprinkler Floor Control Valve (Factory Set) (choose one)

<input type="checkbox"/> Angle Body <input type="checkbox"/> Globe Body <input type="checkbox"/> IL (choose one)	<input type="checkbox"/> Threaded Ends <input type="checkbox"/> Grooved Ends <input type="checkbox"/> G (choose one)	<input type="checkbox"/> Monitor Switch <input type="checkbox"/> Adapter Bracket <input type="checkbox"/> MSA (optional)	<input type="checkbox"/> No Handwheel <input type="checkbox"/> Capped Bonnet <input type="checkbox"/> CAP (optional)	Bonnet Setting Type <input type="checkbox"/> -N <input type="checkbox"/> -O <input type="checkbox"/> -P <input type="checkbox"/> -Q <input type="checkbox"/> -R <input type="checkbox"/> -S <input type="checkbox"/> -T <input type="checkbox"/> -U
---	---	---	---	--

Specify if the body should be tapped and plugged for gauges.

Qty	Part number	Notes