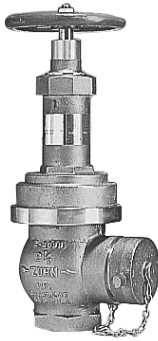


SPECIFICATION SUBMITTAL SHEET



Z3000 C/C

FEATURES

Sizes: 2 1/2"

Maximum inlet pressure	400 psi
Inlet connection	FNPT
Outlet connection (Z3000)	Male hose
Outlet connection (Z3005)	FNPT
Manufactured in the USA	
Factory or Field Set	

OPTIONS

(Suffixes can be combined)

- Z3000 - angle type valve
- IL - in-line (globe type) valve
- C/C - with cap and chain
- CH - with chrome finish
- SF - with San Francisco hose thread (3")
- ST - with specified hose thread

- Z3005 - female NPT inlet and outlet angle valve
- IL - female NPT inlet and outlet in-line valve
- CH - with chrome finish
- CAP - with capped bonnet

APPLICATION

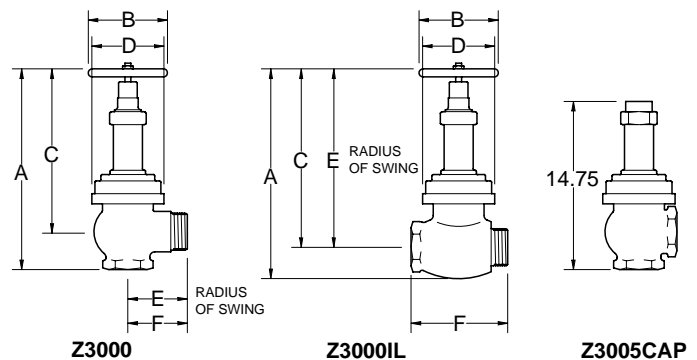
The Pressure-Tru™ Z3000 and Z3005 Series Pressure Reducing Valve is listed as a standpipe valve for individual hose stations in CLASS I and CLASS III systems. Regulates pressure under both FLOW and NO-FLOW conditions. Can be adjusted and set at the factory or set in the field without draining the standpipe riser.

STANDARDS COMPLIANCE

- UL® Listed
- C-UL® Listed
- City of Los Angeles Approved

MATERIAL

Main valve body	Cast bronze ASTM B 584
Stem	Silicon bronze ASTM B 584
Flange	Navy "G" bronze ASTM B 584
Elastomers	Buna Nitrile (FDA approved) EPDM (FDA approved)
Springs	Chrome silicon, ASTM A 313 powder coated



DIMENSIONS & WEIGHTS (do not include pkg.)

MODEL	DIMENSIONS (approximate)																	
	A OPEN		A CLOSED		B		C OPEN		C CLOSED		D		E		F		WEIGHT	
	in.	mm	in.	mm	in.	mm	in.	mm	in.	mm	in.	mm	in.	mm	in.	mm	lbs	kg
Z3000	17 1/2	445	16 1/2	419	6 1/4	159	14 1/2	368	13 1/2	343	5 3/4	146	4 1/4	108	4	102	28	12.7
Z300IL	17 1/2	445	16 1/2	419	6 1/4	159	14 1/2	368	13 1/2	343	5 3/4	146	14 1/2	368	7 1/2	191	30	13.6
Z3005	17 1/2	445	16 1/2	419	6 1/4	159	14 1/2	368	13 1/2	343	5 3/4	146	3 1/2	89	3	76	29	13.2
Z3005IL	17 1/2	445	16 1/2	419	6 1/4	159	14 1/2	368	13 1/2	343	5 3/4	146	14 1/2	368	7 1/2	191	30	13.6

DOCUMENT #: FV-Z3000&Z3005
REVISION: 3/06